



PARTS CATALOG

Published 2009/11 (Nov.)

0CW10-G49900

P R E F A C E

1. This parts catalog is the 1st edition of 4TNV88-BMHW for HAKO.

Pub.No. : 0CW10-G49900

Published : February, 2009

2. Model name

Engine model	Vehicle	Vehicle made by
4TNV88-BMHW	SWEEPER	HAKO

Directions for the Parts Catalog.

1. The parts stipulated in this Parts Catalog are not necessarily standard equipped parts.
2. Parts may change without prior notice.
3. The following is an example of the Parts Catalog format.

REF.	LEV.	PARTS NO.	DESCRIPTION	Q'TY						I	R
				(A)	(B)	(C)	(D)	(E)	(F)		
1	1	729595-51390	FUEL INJECTION PUMP	1	1	1	1	1			1
1-1	1	729595-51391	FUEL INJECTION PUMP	1	1	1	1	1		N	1
		(A=E00185) (B=E00200)									
3	2	26022-060162	SCREW M 6X 16	9	9	9	9	9			
3-1	2	26022-060162	SCREW M 6X 16	4	4	4	4	4		K	
		(A=E00156) (B=E00156) (C=E00156) (D=E00156) (E=E00156)									
4	2	129470-51040	CAMSHAFT	1	1	1	1	1			
5	2	122710-51050	BEARING, ROLLER	2	2	2	2	2			
6	2	129470-51060	RETAINER	1	1	1	1	1			

Remarks
(1) BOOST COMPEMSATOR TYPE. OPTIONAL PART, TO E00155,(4JH-DT, 4JH-DTZ

① Ref. No.

The Ref. No. listed may not be in accordance with the illustration Ref. No.

(Ex.) Illustration No.

List Ref No.

1

1

(Before change)

1-1

(After change)

For interchangeable symbols N, R and K, illustrations for new parts may be abbreviated.

② Lev. (Level)

Level indication

The numbers below indicate the level of relativity towards the main part.

1 ----- Main parts (Assembly parts)

2 ----- Sub component included in " 1 ".

3 ----- Sub component included in " 2 ".

Note) Parts that are not for sale are partially illustrated but not listed.

③ Interchangeability Mark

When a part change takes place, one of the following interchangeability symbols is indicated beside the part.

Symbol	Interchangeability	Contents note
N	Old $\begin{matrix} \leftarrow \text{Yes} \\ \text{No} \rightarrow \end{matrix}$ New	New Part is interchangeable for Old Part but Old Part is not interchangeable for New Part.
Q	Old $\begin{matrix} \leftarrow \text{No} \\ \text{Yes} \rightarrow \end{matrix}$ New	New Part is not interchangeable for Old Part but Old Part is interchangeable for New Part.
R	Old $\begin{matrix} \leftarrow \text{Yes} \\ \text{Yes} \rightarrow \end{matrix}$ New	New/ Old Parts are both interchangeable.
S	Old $\begin{matrix} \leftarrow \text{No} \\ \text{No} \rightarrow \end{matrix}$ New	New/ Old Parts are both not interchangeable.
W		Part discontinued.
Z		Part newly added.
F		Not interchangeable by a single part but interchangeable together with related parts.
K		Changes only for used parts quantities.

④ Effective Machine No.

When a part changes, the effective Machine No. will be indicated in the (A)-(F) column.

Product Symbol	Product No.	Product Symbol	Product No.
C	Clutch No. Compressor No.	F	Machine No. (Agricultural Equip.)
D	Drive No.	M	Machine No.
E	Engine No.	Note 1)	Date

Note 1) A date may follow the symbol. (Ex.) 1996.01

Note 2) " XXX " are for parts that could not be predicted or for engine models that could not be identified.

Note 3) (A=E00185) is the E (Engine Serial Number) for the column (A) model (in this case 4JH-DT) after the parts design change.

⑤ Remarks Mark

Figures or alphabets (symbols) are entered in the remarks column.

The comments (remarks) on parts that are indicated at the bottom of the illustration are the same symbols as those stated above.

CONTENTS

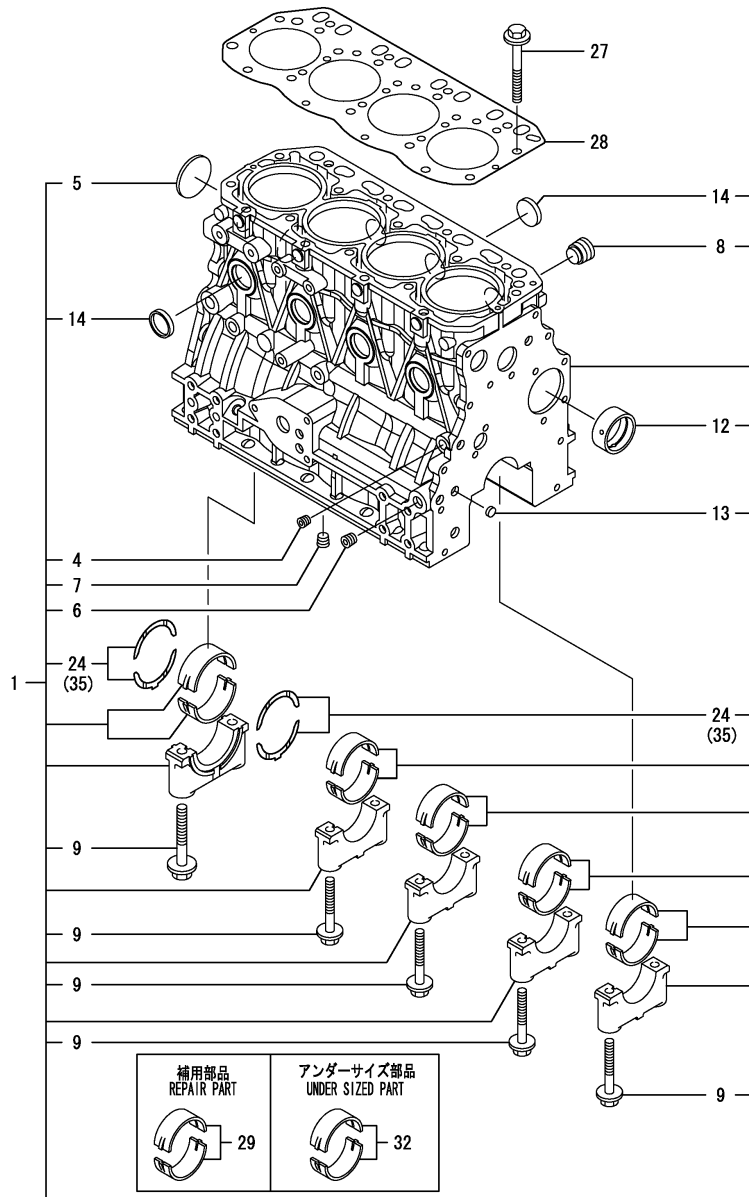
MODEL : 4TNV88-BMHW
PC NO : 0CW10-G49900

Fig.No. GROUP NAME
4TNV88-BMHW

Fig.No. GROUP NAME

1. CYLINDER BLOCK
2. GEAR HOUSING
3. FLYWHEEL HOUSING & OIL SUMP
4. CYLINDER HEAD & BONNET
5. SUCTION MANIFOLD
6. EXHAUST MANIFOLD
7. CAMSHAFT & DRIVING GEAR
8. CRANKSHAFT & PISTON
9. LUB.OIL SYSTEM
10. COOLING WATER SYSTEM
11. FUEL INJECTION PUMP
12. GOVERNOR
13. FUEL INJECTION VALVE
14. FUEL LINE
15. STARTING MOTOR
16. ELECTRIC PARTS
17. GASKET SET

Fig.1. CYLINDER BLOCK



0CW10-G49900 1. CYLINDER BLOCK

(A)=4TNV88-BMHW

(B)=

(C)=

(D)=

(E)=

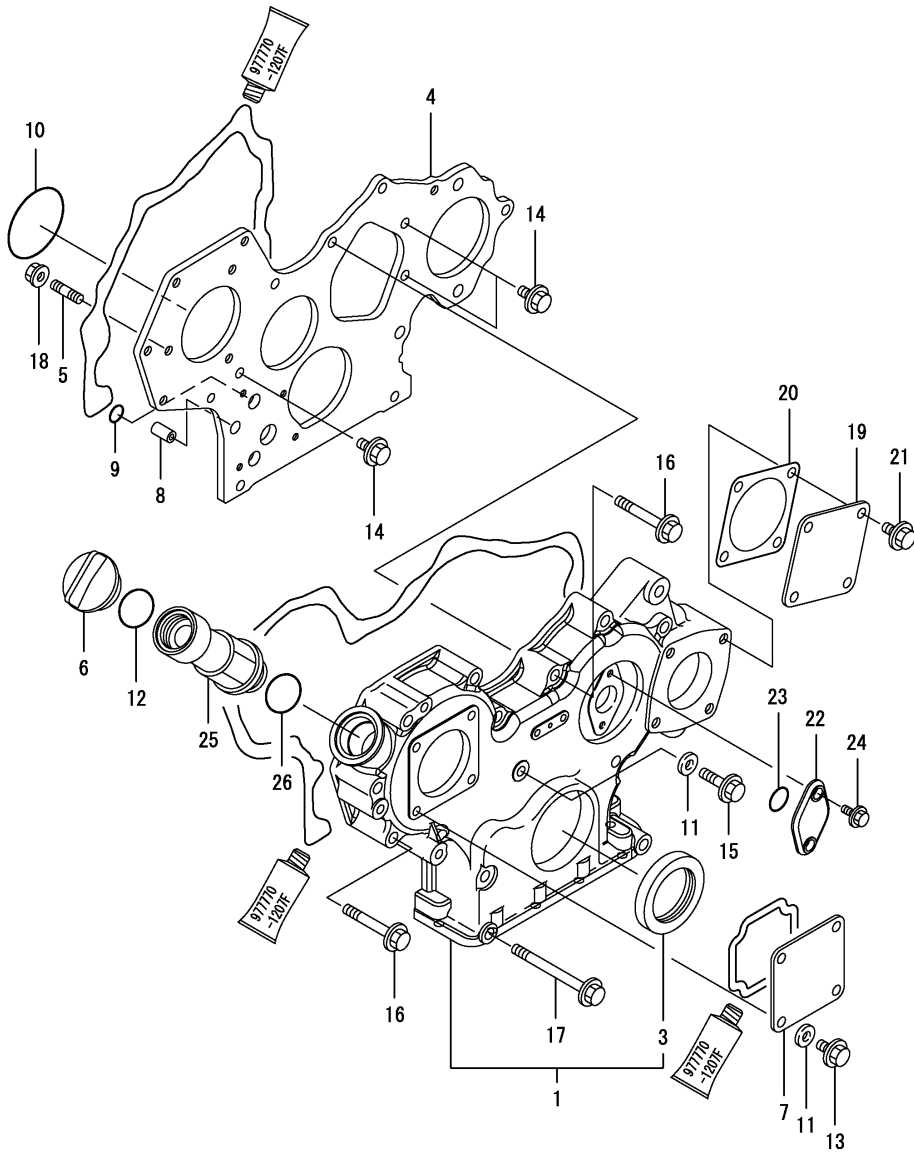
(F)=

REF.	LEV.	PARTS NO.	DESCRIPTION	QTY						I	R
				(A)	(B)	(C)	(D)	(E)	(F)		
1	1	729602-01560	BLOCK ASSY, CYLINDER	1							
4	2	124060-01050	PLUG, PT1/8	1							
5	2	129001-01250	PLUG, 50	1							
6	2	124160-01910	PLUG, PT1/4	2							
7	2	124160-01910	PLUG, PT1/4	1							
8	2	171051-01921	PLUG, NPTF1	1							
9	2	129150-02020	BOLT, METAL CAP	10							
12	2	129795-02412	BUSH, CAMSHAFT A	1							
13	2	27241-120000	PLUG, 12	2							
14	2	27241-300000	PLUG 30	8							
24	2	129150-02931	METAL ASSY, THRUST	2							
27	1	129150-01200	BOLT, CYLINDER HEAD	18							
28	1	129407-01340	GASKET, HEAD	1							
29	1	129001-02931	MAIN BEARING SET	5							1
32	1	129150-02871	MAIN METAL US=0.25	5							2
35	1	129150-02941	BEARING, THRUST.25OS	1							3

Remarks

- (1) REPAIR PART.
- (2) UNDER-SIZED(U.S=0.25)PART.
- (3) OVER-SIZED(O.S=0.25)PART.

Fig.2. GEAR HOUSING



(A)=4TNV88-BMHW

(B)=

(C)=

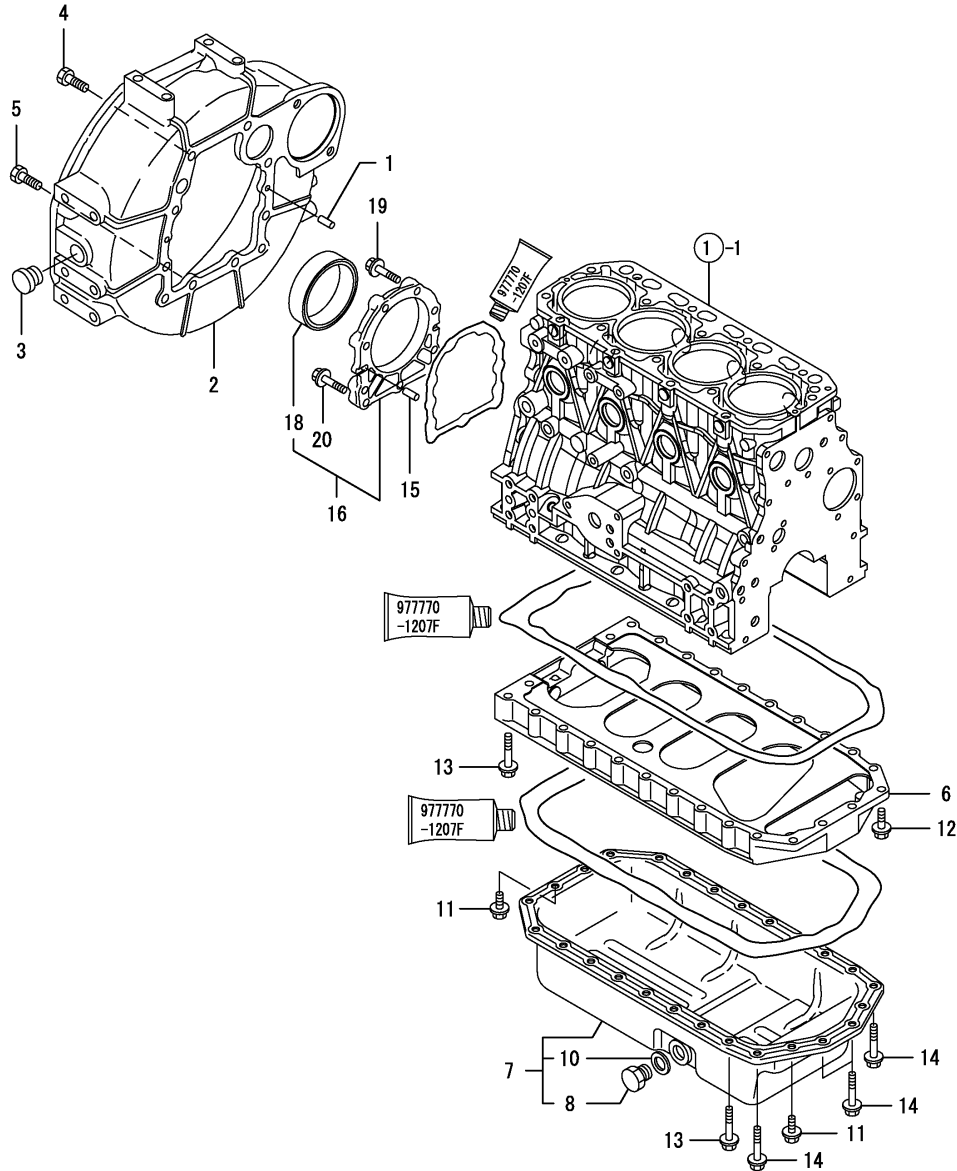
(D)=

(E)=

(F)=

REF.	LEV.	PARTS NO.	DESCRIPTION	QTY						I	R
				(A)	(B)	(C)	(D)	(E)	(F)		
1	1	729652-01500	GEAR CASE ASSY	1							
3	2	119934-01800	SEAL, OIL	1							
4	1	129604-01520	FLANGE, GEAR CASE	1							
5	1	119802-01561	STUD, M8X25	3							
6	1	124160-01751	COVER, FILLER	1							
7	1	124240-01871	COVER, PUMP	1							
8	1	129795-01950	PIPE, KNOCK	2							
9	1	119609-32040	O-RING P16	2							
10	1	121850-51960	O-RING, F.I.PUMP	1							
11	1	22190-080002	SEAL WASHER 8S	5							
12	1	24311-000320	O-RING 1A P-32.0	1							
13	1	26106-080162	BOLT M 8X 16 PLATED	4							
14	1	26106-080162	BOLT M 8X 16 PLATED	3							
15	1	26106-080302	BOLT M 8X 30 PLATED	1							
16	1	26106-080552	BOLT M 8X 55 PLATED	10							
17	1	26106-080852	BOLT M 8X 85 PLATED	3							
18	1	26306-080002	NUT, M8	3							
19	1	124240-01871	COVER, PUMP	1							
20	1	124240-01883	GASKET, PUMP	1							
21	1	26106-080122	BOLT M 8X 12 PLATED	4							
22	1	121023-01551	COVER, TACHOMETER	1							
23	1	24341-000240	O-RING 1A S-24.0	1							
24	1	26106-060162	BOLT M 6X 16 PLATED	2							
25	1	171031-11741	PIPE, OIL FEED	1							
26	1	24311-000320	O-RING 1A P-32.0	1							

Fig.3. FLYWHEEL HOUSING & OIL SUMP



0CW10-G49900 3. FLYWHEEL HOUSING & OIL SUMP

(A)=4TNV88-BMHW

(B)=

(C)=

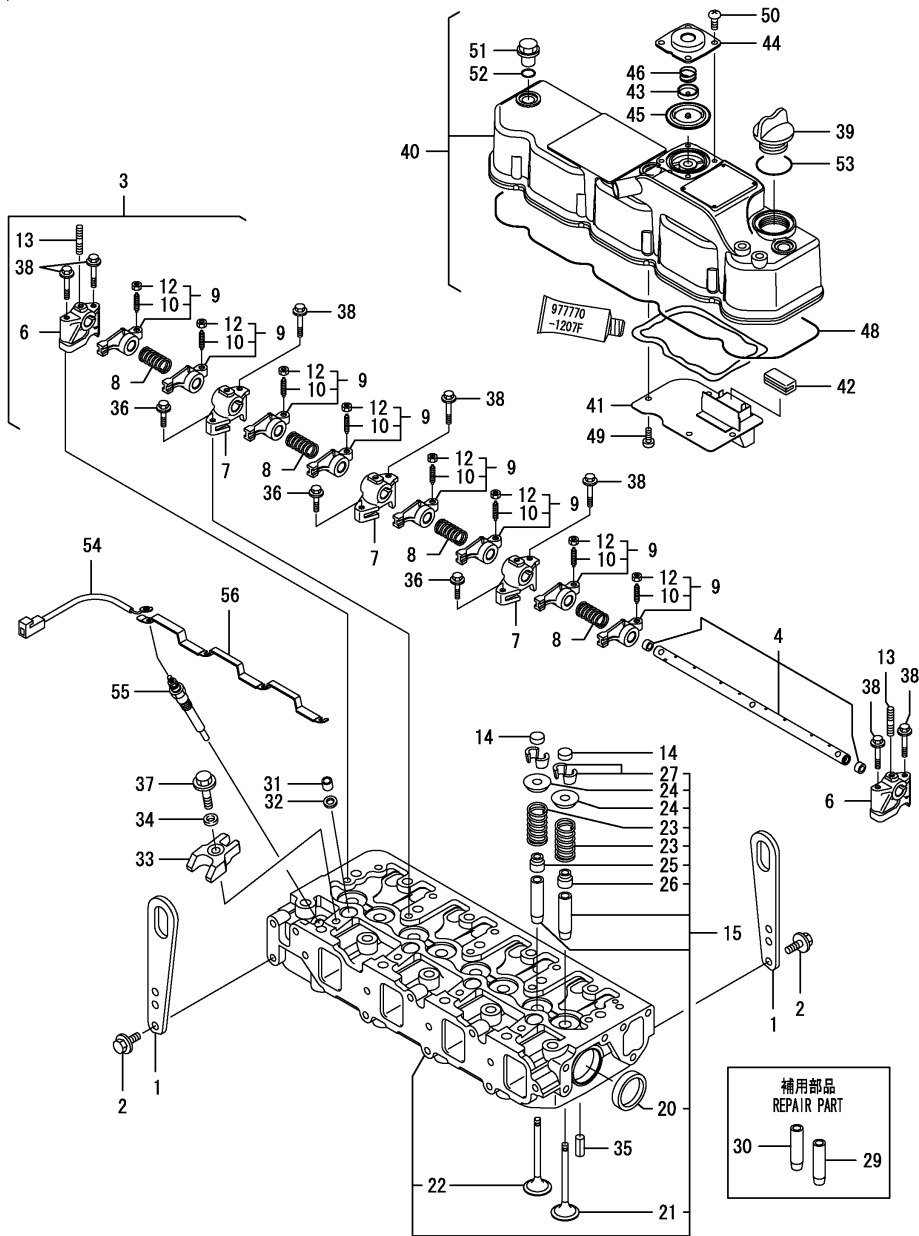
(D)=

(E)=

(F)=

REF.	LEV.	PARTS NO.	DESCRIPTION	QTY						I	R
				(A)	(B)	(C)	(D)	(E)	(F)		
1	1	129100-01580	PARALLEL PIN, M8X16	2							
2	1	129612-01600	HOUSING, FLYWHEEL	1							
3	1	119620-01750	CAP, FLYWHEEL COVER	1							
4	1	26206-100252	BOLT M10X25	6							
5	1	26206-100302	BOLT M10X30	4							
6	1	129400-01730	SPACER, OIL SUMP	1							
7	1	129400-01770	SUMP ASSY, LUB.OIL	1							
8	2	119640-01640	DRAIN PLUG M22	1							
10	2	22190-220002	WASHER, 22	1							
11	1	26106-080162	BOLT M 8X 16 PLATED	4							
12	1	26106-080252	BOLT M 8X 25 PLATED	2							
13	1	26106-080452	BOLT M 8X 45 PLATED	20							
14	1	26106-080502	BOLT M 8X 50 PLATED	4							
15	1	129100-01580	PARALLEL PIN, M8X16	2							
16	1	129100-01640	CASE ASSY, OIL SEAL	1							
18	2	129795-01780	SEAL, OIL	1							
19	1	129486-01670	BOLT, M8X30	6							
20	1	26106-080352	BOLT M 8X 35 PLATED	3							

Fig.4. CYLINDER HEAD & BONNET



Remarks
(1) REPAIR PART.

(A)=4TNV88-BMHW

(B)=

(C)=

(D)=

(E)=

(F)=

REF.	LEV.	PARTS NO.	DESCRIPTION	Q'TY						I	R
				(A)	(B)	(C)	(D)	(E)	(F)		
1	1	129900-07900	LIFTER, ENGINE	2							
2	1	26106-080162	BOLT M 8X 16 PLATED	4							
3	1	129601-11241	SHAFT ASSY, ROCKER	1							
4	2	129601-11251	SHAFT, ROCKER ARM	1							
6	2	119802-11260	SUPPORT, ARM A	2							
7	2	119802-11270	SUPPORT, ARM B	3							
8	2	129150-11280	SPRING, SHAFT	4							
9	2	129004-11650	ARM KIT, ROCKER	8							
10	3	129150-11230	SCREW, VALVE ADJUST	8							
12	3	129150-11750	NUT, M8	8							
13	2	26226-080182	STUD M 8X 18 PLATED	3							
14	1	129150-11370	CAP, VALVE	8							
15	1	129604-11700	HEAD ASSY, CYLINDER	1							
20	2	27241-400000	PLUG 40	2							
21	2	129005-11100	VALVE, INTAKE	4							
22	2	129100-11112	VALVE, EXHAUST	4							
23	2	129795-11120	SPRING, VALVE	8							
24	2	129795-11180	RETAINER, SPRING	8							
25	2	121400-11340	SEAL, VALVE STEM	4							
26	2	124460-11340	SEAL, VALVE STEM	4							
27	2	27310-080001	COTTER, 8	8							
29	1	120130-11860	GUIDE, VALVE	4							1
30	1	129150-11810	GUIDE, EXHAUST VALVE	4							1
31	1	119802-11870	PROTECTOR, NOZZLE	4							
32	1	119625-11880	SEAT, NOZZLE	4							
33	1	129004-11900	RETAINER, NOZZLE	4							
34	1	120270-54410	WASHER, INJECTOR	4							
35	1	22351-060012	SPRING PIN 6X12	2							
36	1	26106-080252	BOLT M 8X 25 PLATED	3							
37	1	26106-080352	BOLT M 8X 35 PLATED	4							
38	1	26106-080502	BOLT M 8X 50 PLATED	7							
39	1	124160-01751	COVER, FILLER	1							
40	1	129601-11350	BONNET ASSY, HEAD	1							
41	2	129004-03010	PLATE, BAFFLE	1							
42	2	129150-03070	BAFFLE, BREATHER	1							
43	2	119802-03110	PLATE, CENTER	1							
44	2	119802-03121	COVER, DIAPHRAGM	1							
45	2	119802-03130	DIAPHRAGM	1							
46	2	119802-03141	SPRING, DIAPHRAGM	1							
48	2	129601-11310	GASKET, BONNET	1							
49	2	22857-500100	SCREW, M5X10	4							
50	2	22857-500100	SCREW, M5X10	4							
51	1	124160-11360	KNOB	3							
52	1	24311-000120	PACKING, P 12.0	3							
53	1	24311-000320	O-RING 1A P-32.0	1							
54	1	119803-77830	HARNES, GLOW PLUG	1							
55	1	129008-77800	PLUG, GLOW	4							
56	1	129604-77821	CONNECTOR, GLOW PLUG	1							

Fig.6. EXHAUST MANIFOLD

0CW10-G49900 6. EXHAUST MANIFOLD

(A)=4TNV88-BMHW

(B)=

(C)=

(D)=

(E)=

(F)=

REF.	LEV.	PARTS NO.	DESCRIPTION	Q'TY						I	R
				(A)	(B)	(C)	(D)	(E)	(F)		
1	1	129400-13101	MANIFOLD, EXHAUST	1							
2	1	129550-13110	GASKET, EXH.MANIFOLD	1							
3	1	123900-13610	STUD, M8X80	2							
4	1	123900-13630	BOLT, M8X80	6							
5	1	119131-18320	STUD, M8X22	4							
6	1	26306-080002	NUT, M8	2							
7	1	129930-13201	GASKET, SILENCER	1							

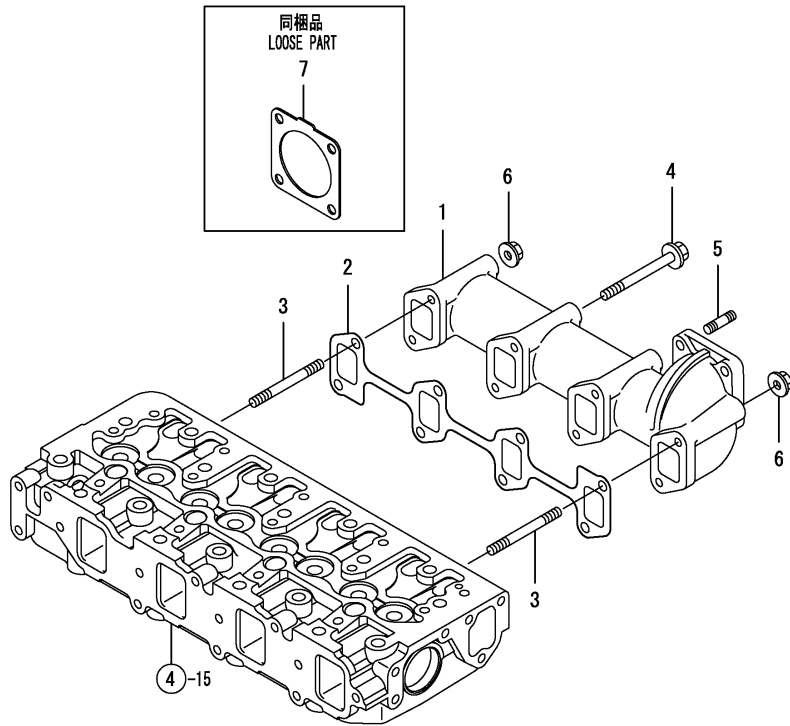


Fig.7. CAMSHAFT & DRIVING GEAR

(A)=4TNV88-BMHW

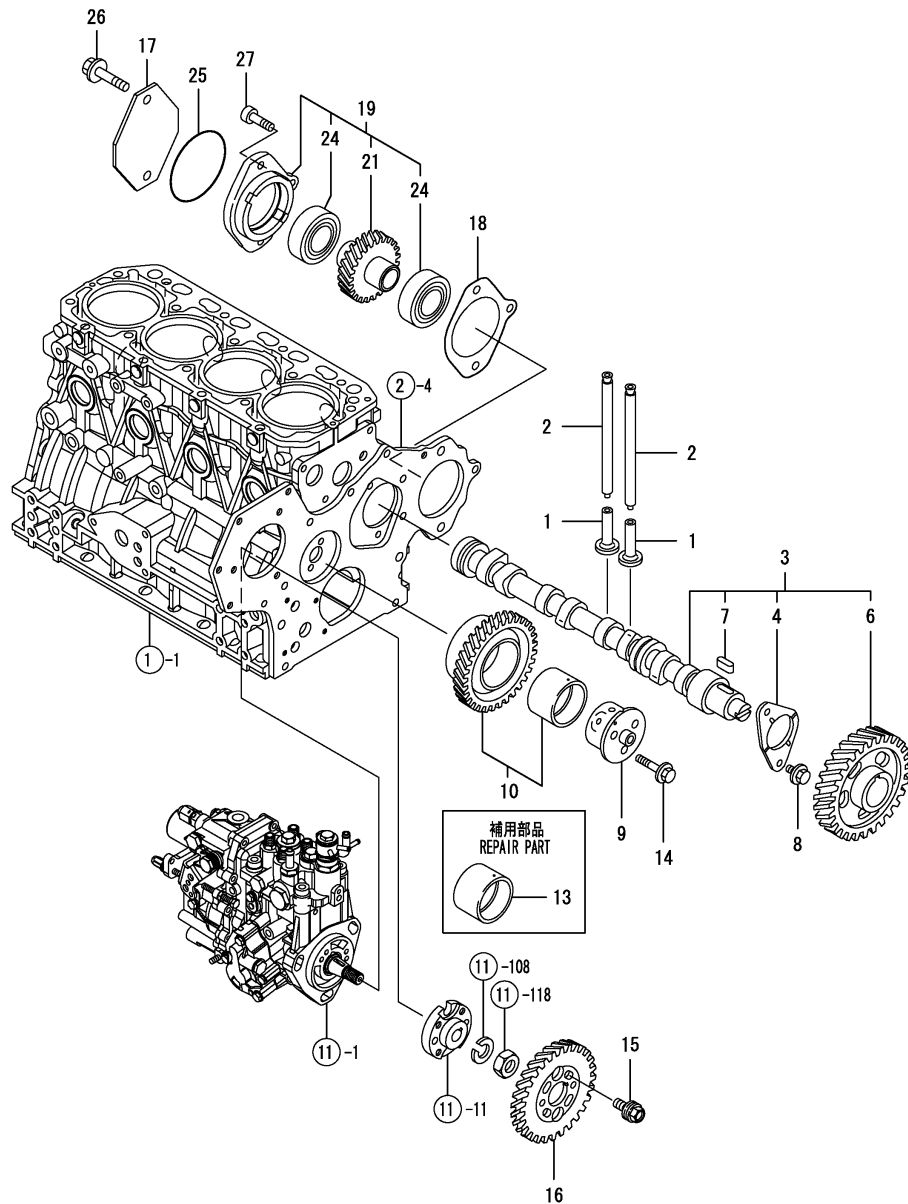
(B)=

(C)=

(D)=

(E)=

(F)=



REF.	LEV.	PARTS NO.	DESCRIPTION	Q'TY						I	R
				(A)	(B)	(C)	(D)	(E)	(F)		
1	1	129150-14200	TAPPET	8							
2	1	129150-14400	ROD, PUSH	8							
3	1	729402-14580	CAMSHAFT ASSY	1							
4	2	129150-02450	METAL, THRUST	1							
6	2	129150-14101	GEAR, CAMSHAFT	1							
7	2	22512-070140	KEY, 7X14	1							
8	1	26106-080142	BOLT 8X 14 PLATED	2							
9	1	119803-25050	SHAFT, IDLER	1							
10	1	119802-25101	GEAR ASSY, IDLE	1							
13	1	119802-25071	BUSH, IDLE GEAR	1							1
14	1	26106-080402	BOLT M 8X 40 PLATED	3							
15	1	129150-25301	BOLT, PUMP	4							
16	1	119802-25901	GEAR, PUMP	1							
17	1	121023-26070	COVER, PUMP	1							
18	1	171353-26081	GASKET, PUMP	1							
19	1	129484-26200	DRIVE ASSY, PUMP	1							
21	2	129484-26210	GEAR ASSY	1							
24	2	24105-060064	BALL BEARING	2							
25	1	24321-000850	O-RING 1A G-85.0	1							
26	1	26106-100452	BOLT M10X 45 PLATED	2							
27	1	26450-080282	BOLT M 8X 28	1							

Remarks
(1) REPAIR PART.

N:Old $\xrightarrow{\text{Yes}}$ New, Q:Old $\xrightarrow{\text{No}}$ New, R:Old $\xrightarrow{\text{Yes}}$ New, S:Old $\xrightarrow{\text{No}}$ New, W:Add, Z:Discontinued, F:Interchangeable by set, K:Q'ty Change

Fig.8. CRANKSHAFT & PISTON

(A)=4TNV88-BMHW

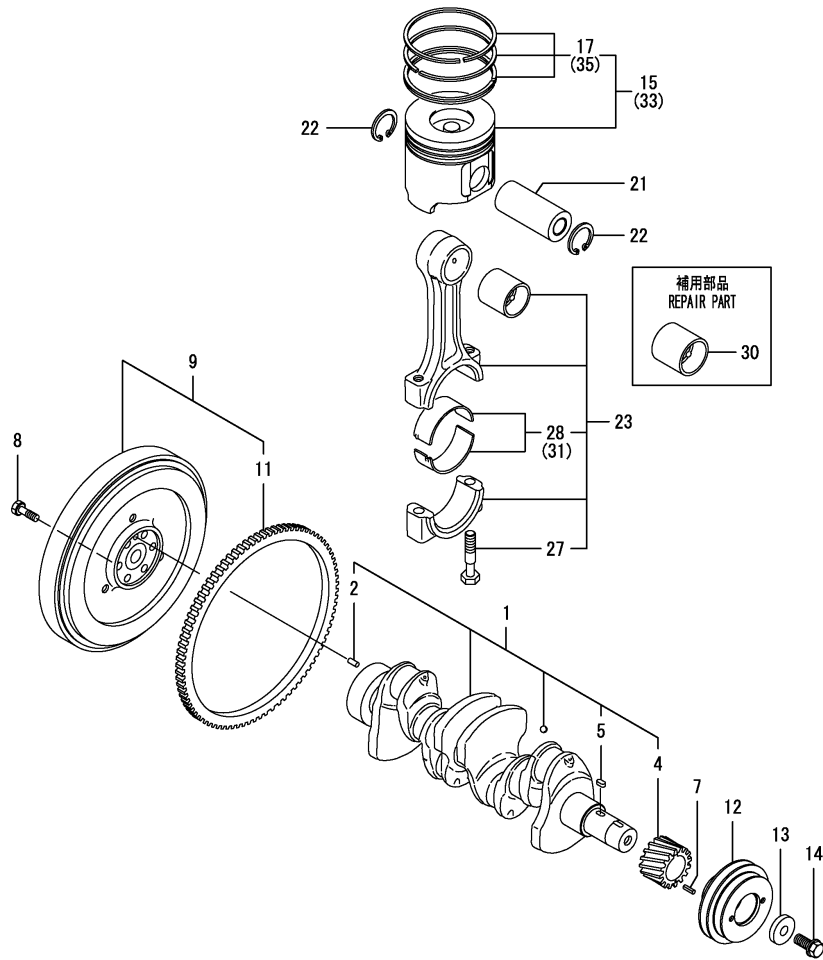
(B)=

(C)=

(D)=

(E)=

(F)=

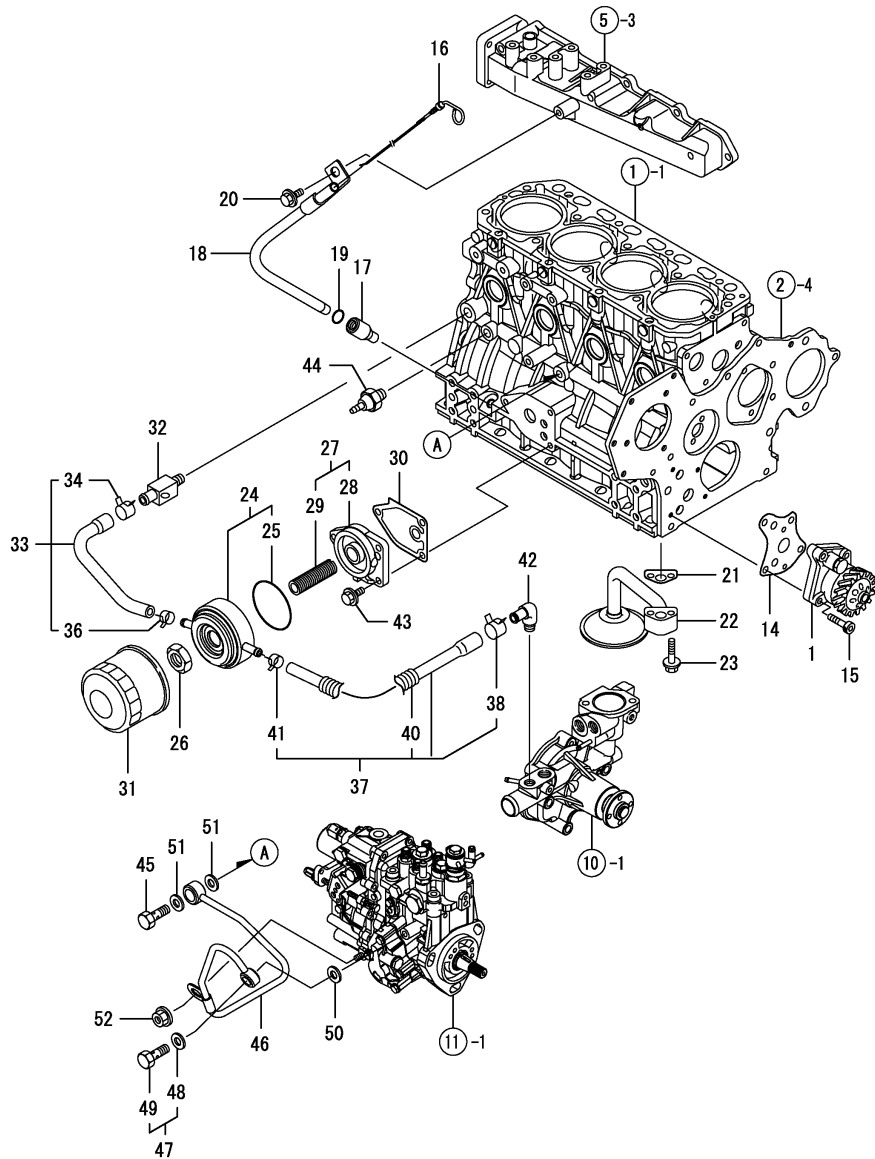


REF.	LEV.	PARTS NO.	DESCRIPTION	QTY						I	R
				(A)	(B)	(C)	(D)	(E)	(F)		
1	1	129604-21000	CRANKSHAFT ASSY	1							
2	2	129100-01580	PARALLEL PIN, M8X16	1							
4	2	119803-21200	GEAR, CRANKSHAFT	1							
5	2	22512-070140	KEY, 7X14	1							
7	1	22351-030010	SPRING PIN 3X10	1							
8	1	121111-21501	BOLT, FLYWHEEL	6							
9	1	129423-21570	FLYWHEEL ASSY	1							
11	2	119865-21600	GEAR, RING	1							
12	1	129466-21651	V-PULLEY, CRANKSHAFT	1							
13	1	129795-21661	WASHER	1							
14	1	121850-21680	BOLT, V-PULLEY	1							
15	1	129005-22080	PISTON W/RING	4							
17	2	129005-22500	RING SET, PISTON	4							
21	1	129202-22300	PIN, PISTON	4							
22	1	22252-000260	CIRCLIP 26	8							
23	1	729402-23100	ROD ASSY, CONNECTING	4							
27	2	121550-23200	BOLT, CONNECTING ROD	8							
28	2	129150-23601	METAL, CRANKPIN	4							
30	1	129100-23910	METAL, PISTON PIN	4							1
31	1	129150-23611	METAL.PIN US=0.25	4							2
33	1	129005-22900	PISTON W/RING .25OS	4							3
35	2	129005-22950	RING SET, PISTON .25	4							3

Remarks

- (1) REPAIR PART.
- (2) UNDER-SIZED(U.S=0.25)PART.
- (3) OVER-SIZED(O.S=0.25)PART.

Fig.9. LUB.OIL SYSTEM



(A)=4TNV88-BMHW

(B)=

(C)=

(D)=

(E)=

(F)=

REF.	LEV.	PARTS NO.	DESCRIPTION	QTY						I	R
				(A)	(B)	(C)	(D)	(E)	(F)		
1	1	129407-32000	PUMP ASSY, LUB.OIL	1							
14	1	129150-32020	GASKET, PUMP	1							
15	1	26450-060252	BOLT, M6X25	4							
16	1	129601-34801	DIPSTICK, LUB.OIL	1							
17	1	119260-34810	GUIDE, DIPSTICK	1							
18	1	119802-34850	GUIDE, DIPSTICK	1							
19	1	24316-240100	O-RING 4D P-10A	1							
20	1	26106-080162	BOLT M 8X 16 PLATED	1							
21	1	129150-35042	GASKET, PIPE	1							
22	1	129436-35091	PIPE ASSY, OIL INLET	1							
23	1	26106-080352	BOLT M 8X 35 PLATED	2							
24	1	129508-33010	COOLER ASSY, LUB.OIL	1							
25	2	129508-33050	O-RING	1							
26	1	129417-33110	NUT, OIL COOLER	1							
27	1	129006-35100	BRACKET ASSY, FILTER	1							
28	2	119802-35110	BRACKET, FILTER	1							
29	2	129417-35150	STUD, L=67	1							
30	1	129150-35111	GASKET, (NON-ASB.)	1							
31	1	129150-35153	FILTER 80X80L	1							1
32	1	129006-44480	JOINT	1							
33	1	129508-49030	PIPE, COOLER INLET	1							
34	2	171008-03990	CLIP, HOSE	1							
36	2	23080-015000	CLAMP	1							
37	1	129508-49040	PIPE, COOLER OUTLET	1							
38	2	171008-03990	CLIP, HOSE	1							
40	2	119940-59130	TUBE, CORRUGATED	1							
41	2	23080-015000	CLAMP	1							
42	1	129103-49301	ELBOW, PT1/4	1							
43	1	26106-080202	BOLT M 8X 20 PLATED	3							
44	1	114250-39450	SWITCH, OIL PRESSURE	1							
45	1	124160-39140	BOLT, JOINT M10	1							
46	1	119802-39450	PIPE ASSY, LUB.OIL	1							
47	1	129005-59830	BOLT ASSY, JOINT	1							
48	2	22190-080002	SEAL WASHER 8S	1							
49	2	23857-030000	JOINT BOLT 3	1							
50	1	22190-080002	SEAL WASHER 8S	1							
51	1	22190-100002	WASHER, 10	2							
52	1	26366-060002	NUT M 6	1							

Remarks
(1) REPAIR PART.

Fig.10. COOLING WATER SYSTEM

(A)=4TNV88-BMHW

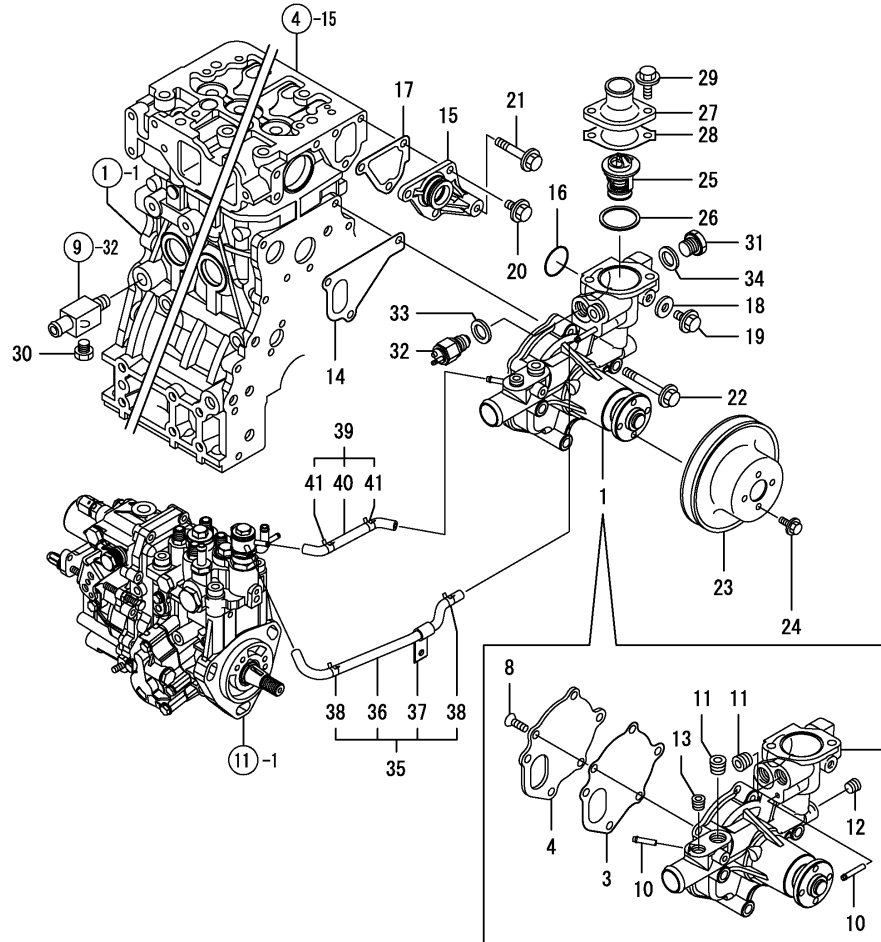
(B)=

(C)=

(D)=

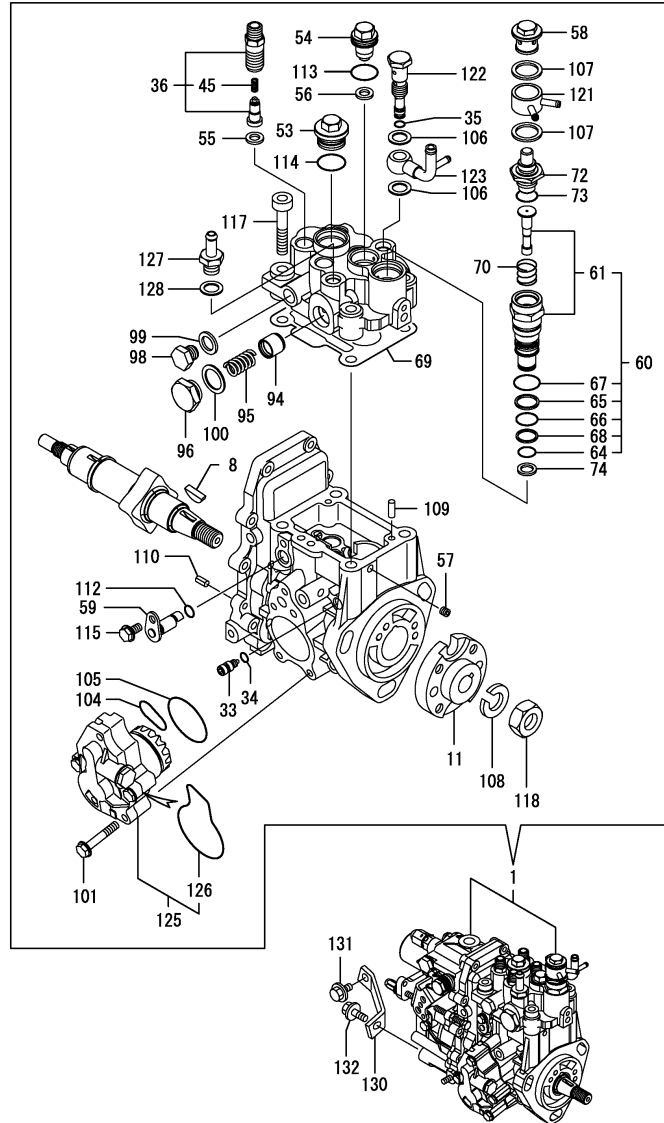
(E)=

(F)=



REF.	LEV.	PARTS NO.	DESCRIPTION	QTY						I	R
				(A)	(B)	(C)	(D)	(E)	(F)		
1	1	129004-42001	PUMP ASSY, WATER	1							
3	2	129100-42051	GASKET, WATER PUMP	1							
4	2	129100-42121	PLATE	1							
8	2	121850-42410	SCREW	3							
10	2	119802-49113	JOINT, PIPE	2							
11	2	129916-49740	PLUG, R03	2							
12	2	23876-010000	PLUG PT1/8,SCREW	1							
13	2	23876-020000	PLUG PT1/4,SCREW	1							
14	1	129486-42021	GASKET, WATER PUMP	1							
15	1	129004-42040	JOINT, PUMP	1							
16	1	129486-42140	O-RING, G30	1							
17	1	124395-49840	GASKET, CASE	1							
18	1	23414-080000	GASKET 8, ROUND	1							
19	1	26106-080122	BOLT M 8X 12 PLATED	1							
20	1	26106-080162	BOLT M 8X 16 PLATED	3							
21	1	26106-080452	BOLT M 8X 45 PLATED	1							
22	1	26106-080602	BOLT M 8X 60 PLATED	3							
23	1	129550-42350	V-PULLEY, WATER PUMP	1							
24	1	26106-060162	BOLT M 6X 16 PLATED	4							
25	1	129155-49801	THERMOSTAT	1							
26	1	129150-49811	GASKET, THERMOSTAT	1							
27	1	129350-49530	COVER, THERMOSTAT	1							
28	1	129795-49551	GASKET, COVER	1							
29	1	26106-080222	BOLT M 8X 22 PLATED	2							
30	1	171056-49120	PLUG, DRAIN	1							
31	1	121450-42450	PLUG M16	1							
32	1	121250-44901	SWITCH, THERMO.	1							
33	1	124465-44950	GASKET, 16	1							
34	1	124465-44950	GASKET, 16	1							
35	1	129004-49610	PIPE, WATER MP2 A	1							
36	2	129004-49711	PIPE, WATER MP2 A	1							
37	2	119802-49730	CLAMP, PIPE	1							
38	2	124722-59050	CLIP, HOSE	2							
39	1	129004-49620	PIPE, WATER MP2 B	1							
40	2	129004-49721	PIPE, WATER MP2 B	1							
41	2	124722-59050	CLIP, HOSE	2							

Fig.11. FUEL INJECTION PUMP



Remarks
 (1) GOVERNOR ASSY(FIG.12) IS INCORPORATED IN THIS FOP.CMP (REF.NO.1).
 (2) REF.NO.1-1 & FIG.NO.13 REF.NO.1-1 INTERCHANGEABLE BY SET.

(A)=4TNV88-BMHW

(B)=

(C)=

(D)=

(E)=

(F)=

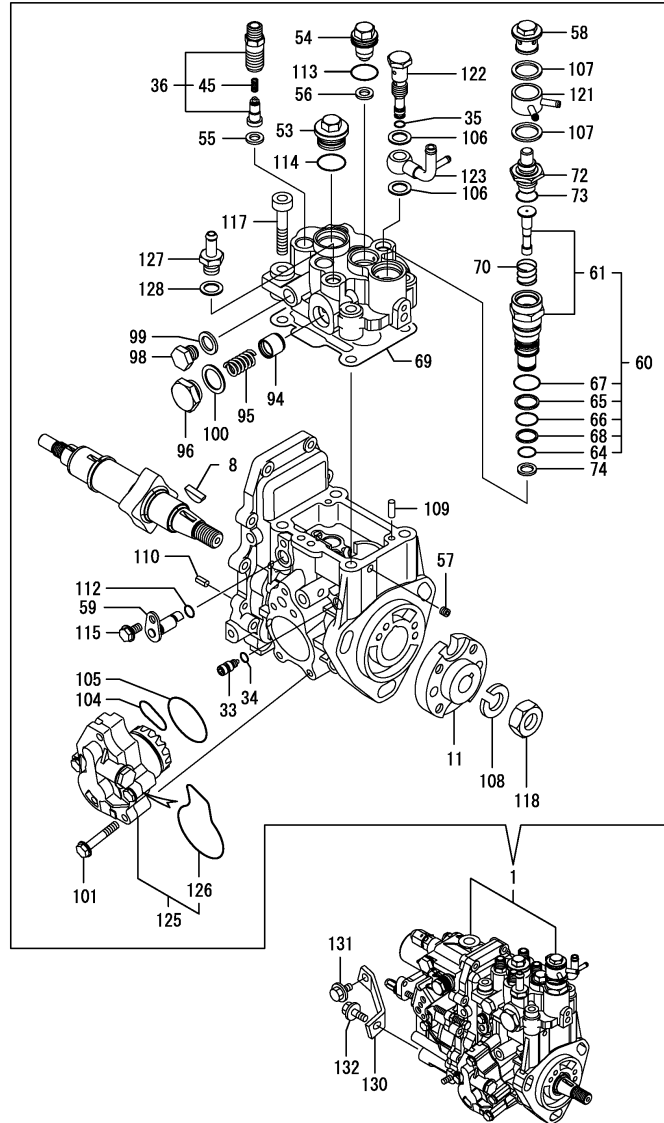
REF.	LEV.	PARTS NO.	DESCRIPTION	Q'TY						I	R
				(A)	(B)	(C)	(D)	(E)	(F)		
1	1	729637-51300	INJECTON PUMP ASSY	1							1
1-1	1	729637-51310	INJECTON PUMP ASSY	1							S 2
(A=*2009.06.)											
8	2	119802-51090	KEY, WOODRUFF 4X16	1							
11	2	158552-51151	FLANGE	1							
33	2	158600-51270	STOPPER, TAPPET	1							
34	2	158563-51281	O-RING	1							
35	2	158563-51281	O-RING	1							
36	2	129008-51390	SETTING, DELIVERY	4							
45	3	158563-51330	SPRING, DELIVERY	4							
53	2	158601-51550	PLUG	1							
54	2	119802-51560	PLUG, BARREL	1							
55	2	158552-51571	PK(BARREL PLUG	4							
56	2	158552-51571	PK(BARREL PLUG	1							
57	2	158557-51570	PLUG	1							
58	2	158601-51570	PLUG, WATER PUMP	1							
59	2	158552-51580	LIFTER	1							
60	2	119802-51590	TIMER SET	1							
61	3	119802-51600	TIMER CMP	1							
64	3	158553-51670	O-RING, 1011	1							
65	3	119802-51680	BACKUP RING	1							
66	3	119802-51690	O RING	1							
67	3	24356-010200	PACKING, 1020	1							
68	3	24372-000150	RING, BACKUP T2 P 15	1							
69	2	158552-51600	PACKING, HEAD	1							
70	2	158553-51630	SPRING, TIMER	1							
72	2	158553-51650	ELEMENT, THERMO	1							
73	2	158553-51660	O-RING,P14	1							
74	2	158553-51680	PACKING,TIMER	1							
94	2	158601-51770	PISTON	1							
95	2	158552-51781	SPRING, ACTUATOR	1							
96	2	158601-51790	PLUG	1							
98	2	158553-51930	PLUG,M12	1							
99	2	22190-120002	SEAL WASHER 12	1							
100	2	22190-180002	WASHER, 18	1							
101	2	158553-51770	BOLT	4							
104	2	158552-52310	O-RING, PUMP	1							
105	2	158552-52400	O-RING 4E S42	1							
106	2	22190-120002	SEAL WASHER 12	2							
107	2	22190-180002	WASHER, 18	2							
108	2	22217-140000	SPRING WASHER 14	1							
109	2	22312-050140	PARALLEL PIN 5X14	2							
110	2	22351-050010	SPRING PIN 5X10	2							
112	2	24311-000070	O-RING 1A P-7.0	1							
113	2	24356-010180	O-RING	1							
114	2	24356-010200	PACKING, 1020	1							
115	2	26106-060102	BOLT 6X 10 PLATED	1							
117	2	26450-080452	BOLT M 8X 45	4							
118	2	26776-140002	LOCK NUT M14 PLATED	1							
121	2	158553-51551	JOINT, COOLING WATER	1							
122	2	158601-51650	JOINT, OVER FLOW	1							

N:Old $\frac{Yes}{No}$ New, Q:Old $\frac{No}{Yes}$ New, R:Old $\frac{Yes}{Yes}$ New, S:Old $\frac{No}{No}$ New, W:Add, Z:Discontinued, F:Interchangeable by set, K:Q'ty Change

++ CONTINUE ++

(C)Copy Rights YANMAR CO.,LTD.

Fig.11. FUEL INJECTION PUMP



(A)=4TNV88-BMHW

(B)=

(C)=

(D)=

(E)=

(F)=

REF.	LEV.	PARTS NO.	DESCRIPTION	QTY						I	R
				(A)	(B)	(C)	(D)	(E)	(F)		
123	2	158552-51670	JOINT, OVER FLOW	1							
125	2	158552-52100	PUMP ASSY, FUEL FEED	1							
126	3	158552-52500	O-RING, PUMP	1							
127	2	119934-59910	JOINT, PIPE	1							
128	2	22190-120002	SEAL WASHER 12	1							
130	1	129601-51250	RETAINER, PUMP	1							
131	1	26106-080162	BOLT M 8X 16 PLATED	1							
132	1	26106-080202	BOLT M 8X 20 PLATED	1							

Remarks

(1) GOVERNOR ASSY(FIG.12) IS INCORPORATED IN THIS FOP.CMP (REF.NO.1).

(2) REF.NO.1-1 & FIG.NO.13 REF.NO.1-1 INTERCHANGEABLE BY SET.

Fig.12. GOVERNOR

(A)=4TNV88-BMHW

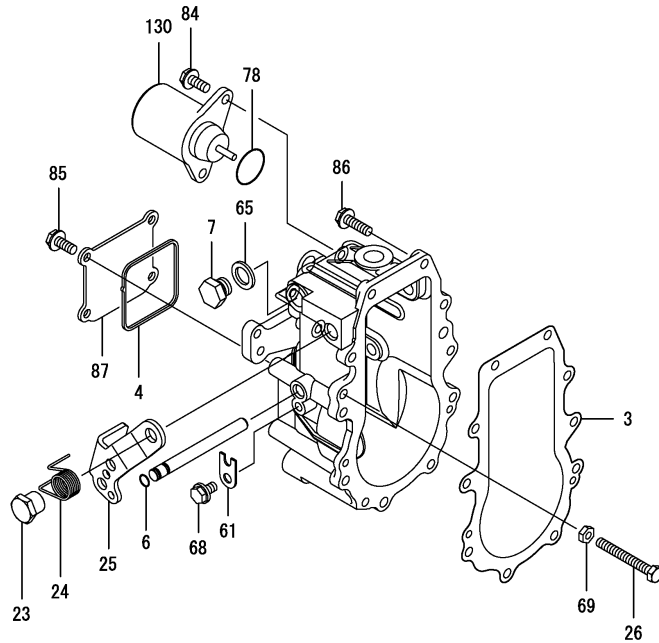
(B)=

(C)=

(D)=

(E)=

(F)=

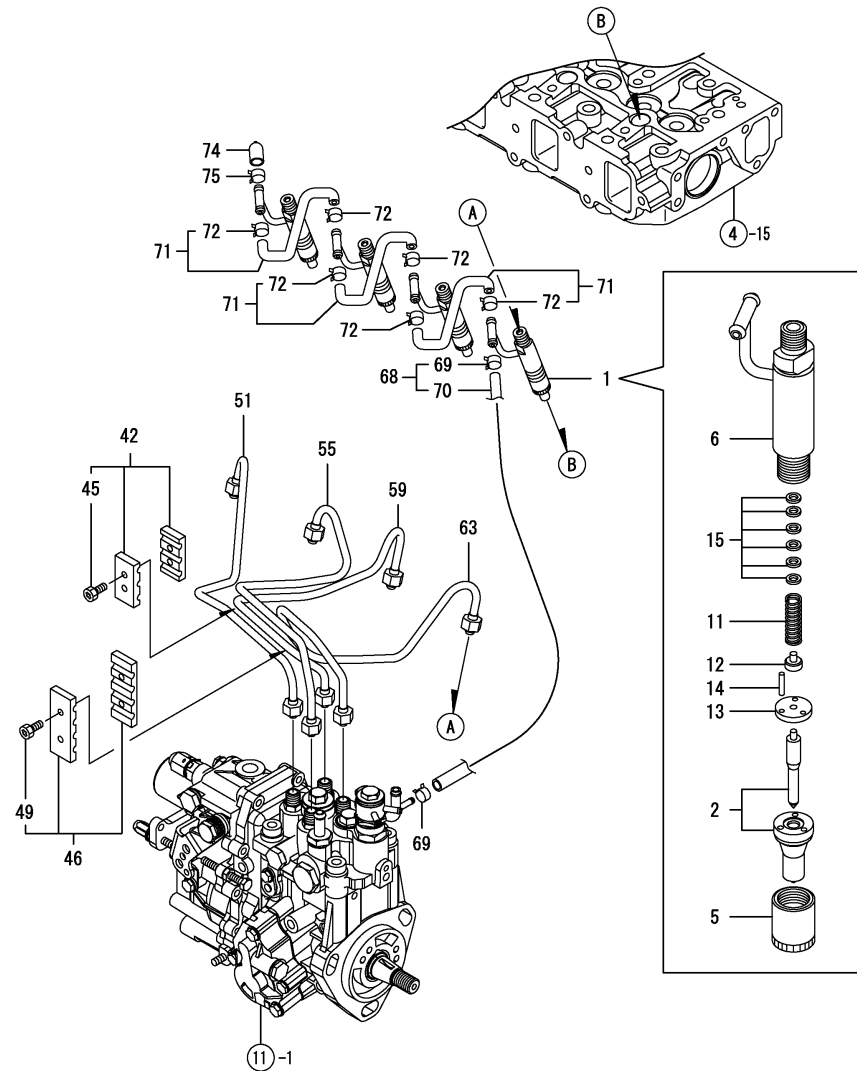


REF.	LEV.	PARTS NO.	DESCRIPTION	QTY						I	R
				(A)	(B)	(C)	(D)	(E)	(F)		
3	2	158553-61050	PACKING, CASE	1							
4	2	158553-61070	PACKING, COVER	1							
6	2	129155-51280	O-RING, S6	1							
7	2	158553-51930	PLUG,M12	1							
23	2	129255-61410	NUT	1							
24	2	119807-61420	SPRING, RETURN	1							
25	2	158552-61441	LEVER, REGULATOR	1							
26	2	129155-61460	BOLT, IDLE	1							
61	2	119660-61901	RETAINER, SHAFT	1							
65	2	22190-120002	SEAL WASHER 12	1							
68	2	26106-060102	BOLT 6X 10 PLATED	1							
69	2	26756-060002	LOCK NUT 6	1							
78	2	158552-61900	O-RING	1							
84	2	26106-060142	BOLT M 6X 14 PLATED	2							
85	2	26106-060142	BOLT M 6X 14 PLATED	4							
86	2	26106-060202	BOLT M 6X 20 PLATED	10							
87	2	129642-61060	COVER, GOVERNOR CASE	1							
130	2	119233-77932	SOLENOID, STOP	1							

Remarks

* THIS FIGURE(GOVERNOR ASSY)IS
INCORPORATED IN THE FUEL INJECTION
PUMP ASSY(FIG.11).

Fig.13. FUEL INJECTION VALVE



(A)=4TNV88-BMHW

(B)=

(C)=

(D)=

(E)=

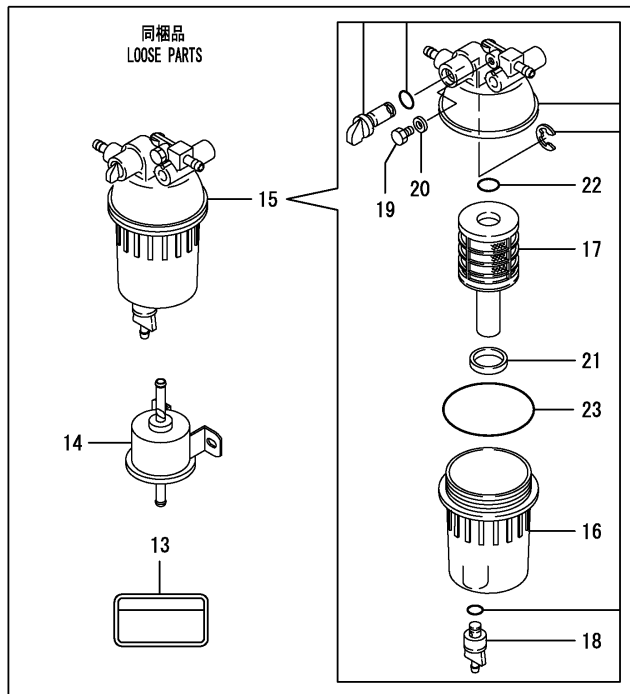
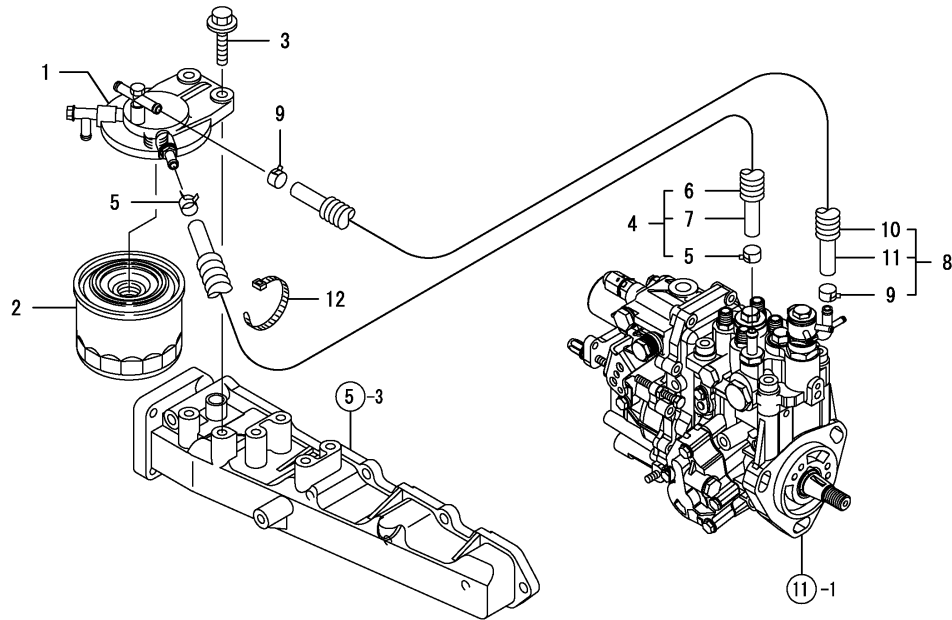
(F)=

REF.	LEV.	PARTS NO.	DESCRIPTION	QTY						I	R
				(A)	(B)	(C)	(D)	(E)	(F)		
1	1	729008-53100	VALVE ASSY,INJECTION	4							
1-1	1	729008-53200	FUEL INJECTOR(SDZ	4						S	1
(A=C1125)											
2	2	129008-53000	VALVE ASSY,INJECTION	4							
2-1	2	129008-53200	NOZZLE ASSY	4						S	
(A=*2009.06.)											
5	2	114250-53080	NUT, CASE	4							
6	2	119802-53100	HOLDER ASSY, NOZZLE	4							
11	2	114250-53120	SPRING, NOZZLE	4							
12	2	114250-53130	SEAT, SPRING	4							
13	2	114250-53140	PLATE, STOP	4							
14	2	114250-53210	PIN	8							
15	2	119803-53400	SHIM SET	4							
42	1	129150-59120	RETAINER, PIPE	1							
45	2	129150-59131	BOLT M4X14,HEX.SCKT.	2							
46	1	129550-59120	RETAINER, PIPE	1							
49	2	129150-59131	BOLT M4X14,HEX.SCKT.	2							
51	1	129601-59810	PIPE ASSY, INJECTION	1							
55	1	129601-59820	PIPE ASSY, INJECTION	1							
59	1	129601-59830	PIPE ASSY, INJECTION	1							
63	1	129601-59840	PIPE ASSY, INJECTION	1							
68	1	119802-59550	PIPE ASSY, RETURN	1							
69	2	124722-59050	CLIP, HOSE	2							
70	2	119802-59560	PIPE, FUEL RETURN	1							
71	1	129486-59551	PIPE ASSY, RETURN	3							
72	2	124722-59050	CLIP, HOSE	6							
74	1	119593-59581	CAP	1							
75	1	124060-77680	CLAMP 10	1							

Remarks

(1) REF.NO.1-1 & FIG.NO.11 REF.NO.1-1 INTERCHANGEABLE BY SET.

Fig.14. FUEL LINE



(A)=4TNV88-BMHW

(B)=

(C)=

(D)=

(E)=

(F)=

REF.	LEV.	PARTS NO.	DESCRIPTION	Q'TY						I	R
				(A)	(B)	(C)	(D)	(E)	(F)		
1	1	129004-55612	BRACKET, FILTER	1							
2	1	119802-55801	FILTER, FUEL	1							
3	1	26106-080302	BOLT M 8X 30 PLATED	2							
4	1	129630-59010	PIPE ASSY, FUEL OIL	1							
5	2	124766-59050	CLAMP 12	2							
6	2	129961-59110	TUBE, CORRUGATED	1							
7	2	105025-59560	PIPE, FUEL OIL	1							
8	1	129956-59010	PIPE ASSY, FUEL OIL	1							
9	2	124766-59050	CLAMP 12	2							
10	2	129957-59101	TUBE, CORRUGATED	1							
11	2	105225-59511	PIPE, FUEL OIL	1							
12	1	121750-59890	CLAMP 140	1							
13	1	114110-07760	LABEL, FUEL OIL	1							
14	1	119225-52102	PUMP ASSY, FUEL FEED	1							
15	1	129242-55700	SEPARATOR ASSY	1							
16	2	129242-55720	CUP	1							
17	2	129242-55730	ELEMENT	1							
18	2	129242-55740	PLUG, DRAIN	1							
19	2	129242-55750	VALVE, AIR VENT	1							
20	2	129242-55760	PACKING, PLUG	1							
21	2	129242-55770	FLOAT	1							
22	2	24311-000160	O-RING 1A P-16.0	1							
23	2	24321-000750	O-RING 1A G-75.0	1							

Fig.15. STARTING MOTOR

(A)=4TNV88-BMHW

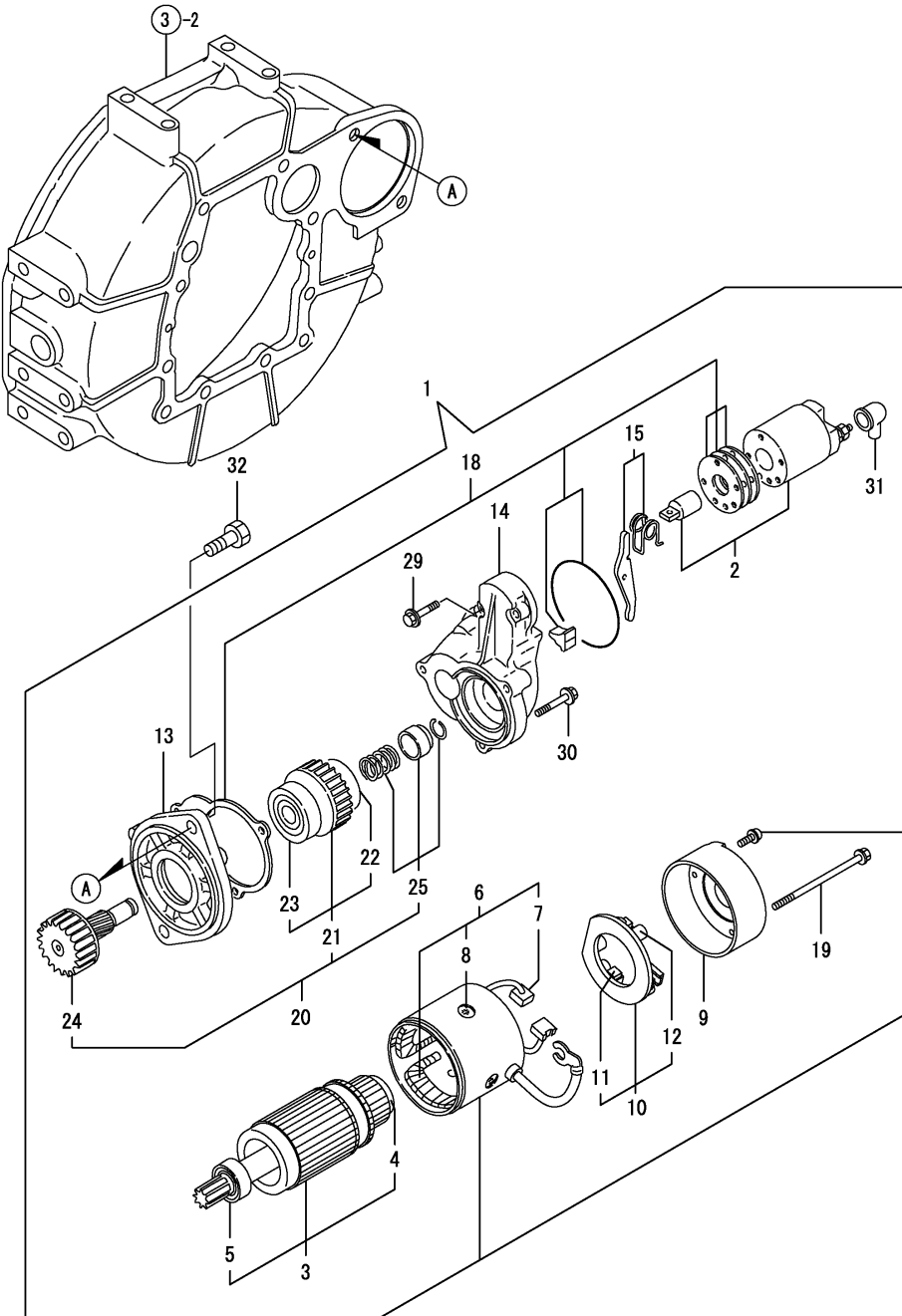
(B)=

(C)=

(D)=

(E)=

(F)=



REF.	LEV.	PARTS NO.	DESCRIPTION	QTY						I	R
				(A)	(B)	(C)	(D)	(E)	(F)		
1	1	129136-77011	STARTER	1							
2	2	129136-77310	SHAFT, PINION	1							
3	2	129900-77400	ARMATURE ASSY	1							
4	3	X2130350900	BALL BEARING	1							
5	3	X2114255110	BALL BEARING	1							
6	2	129900-77440	COIL ASSY, FIELD	1							
7	3	129900-77450	BRUSH (+)	2							
8	3	171008-77450	SCREW, POLE CORE SET	4							
9	2	129900-77460	COVER, REAR	1							
10	2	129900-77480	HOLDER ASSY, BRASH	1							
11	3	129900-77450	BRUSH (+)	2							
12	3	129400-77490	SPRING, BRUSH	4							
13	2	171008-77510	HOUSING ASSY, GEAR	1							
14	2	129136-77520	CENTER HOUSING	1							
15	2	171008-77540	LEVER SET, SHIFT	1							
18	2	129400-77571	DUST COVER,(NON-ASB.	1							
19	2	129900-77640	BOLT, THROUGH	2							
20	2	171008-77650	PINION ASSY	1							
21	3	X2114555500	CLUTCH ASSY	1							
22	4	X2114955020	BALL BEARING	1							
23	4	X2240410100	BALL BEARING	1							
24	3	171008-77660	SHAFT, PINION	1							
25	3	171008-77670	STOPPER SET, PINION	1							
29	2	26106-060322	BOLT M 6X 32 PLATED	2							
30	2	26106-060402	BOLT M 6X 40 PLATED	3							
31	2	171008-77750	COVER, M TERMINAL	1							
32	1	26116-120252	BOLT M12X 25 PLATED	2							

Fig.16. ELECTRIC PARTS

(A)=4TNV88-BMHW
(B)=
(C)=

(D)=
(E)=
(F)=

REF.	LEV.	PARTS NO.	DESCRIPTION	Q'TY						I	R
				(A)	(B)	(C)	(D)	(E)	(F)		
1	1	119643-66900	DIODE	1							
2	1	129136-77200	RELAY, SAFETY	1							
3	1	119650-77910	RELAY, GROW	1							
6	1	129211-77920	TIMER	1							

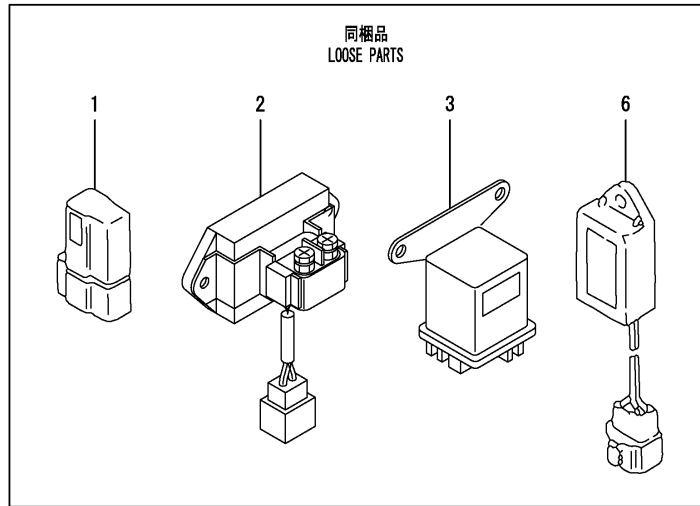


Fig.17. GASKET SET

(A)=4TNV88-BMHW

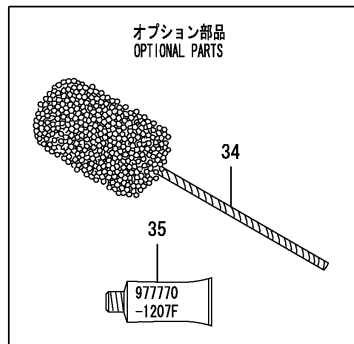
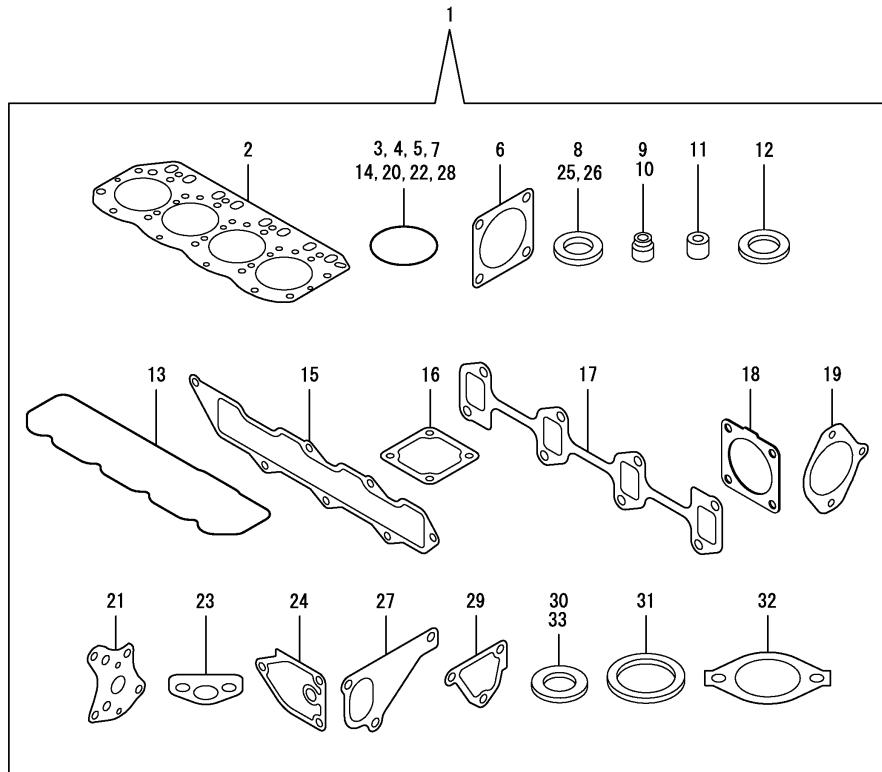
(B)=

(C)=

(D)=

(E)=

(F)=



REF.	LEV.	PARTS NO.	DESCRIPTION	Q'TY						I	R
				(A)	(B)	(C)	(D)	(E)	(F)		
1	1	729602-92930	GASKET SET(NON-ASB.)	1							1
2	2	129407-01340	GASKET, HEAD	1							
3	2	119609-32040	O-RING P16	2							
4	2	121850-51960	O-RING, F.I.PUMP	1							
5	2	24311-000320	O-RING 1A P-32.0	3							
6	2	124240-01883	GASKET, PUMP	1							
7	2	24341-000240	O-RING 1A S-24.0	1							
8	2	22190-220002	WASHER, 22	1							
9	2	121400-11340	SEAL, VALVE STEM	4							
10	2	124460-11340	SEAL, VALVE STEM	4							
11	2	119802-11870	PROTECTOR, NOZZLE	4							
12	2	119625-11880	SEAT, NOZZLE	4							
13	2	129601-11310	GASKET, BONNET	1							
14	2	24311-000120	PACKING, P 12.0	3							
15	2	129407-12110	GASKET, MANIFOLD	1							
16	2	129150-77511	GASKET, AIR HEATER	1							
17	2	129550-13110	GASKET, EXH.MANIFOLD	1							
18	2	129930-13201	GASKET, SILENCER	1							
19	2	171353-26081	GASKET, PUMP	1							
20	2	24321-000850	O-RING 1A G-85.0	1							
21	2	129150-32020	GASKET, PUMP	1							
22	2	24316-240100	O-RING 4D P-10A	1							
23	2	129150-35042	GASKET, PIPE	1							
24	2	129150-35111	GASKET, (NON-ASB.)	1							
25	2	22190-080002	SEAL WASHER 8S	2							
26	2	22190-100002	WASHER, 10	2							
27	2	129486-42021	GASKET, WATER PUMP	1							
28	2	129486-42140	O-RING, G30	1							
29	2	124395-49840	GASKET, CASE	1							
30	2	23414-080000	GASKET 8, ROUND	1							
31	2	129150-49811	GASKET, THERMOSTAT	1							
32	2	129795-49551	GASKET, COVER	1							
33	2	124465-44950	GASKET, 16	2							
34	1	129400-92430	HORN, FLEX	1							1
35	1	977770-1207F	GASKET.LIQUID	1							1

Remarks
(1) OPTIONAL PART.

Part Number Index

All parts are stipulated in the order of part numbers.

(Depending on the area in which the part is used.)

This index will display the location of the part according to each part number.

PARTS No. INDEX

PARTS No.	Fig.	Ref.No.
105025-59560	14	7
105225-59511	14	11
114110-07760	14	13
114250-39450	9	44
114250-53080	13	5
114250-53120	13	11
114250-53130	13	12
114250-53140	13	13
114250-53210	13	14
119131-18320	6	5
119225-52102	14	14
119233-77932	12	130
119260-34810	9	17
119593-59581	13	74
119609-32040	2	9
	17	3
119620-01750	3	3
119625-11880	4	32
	17	12
119640-01640	3	8
119643-66900	16	1
119650-77910	16	3
119660-61901	12	61
119802-01561	2	5
119802-03110	4	43
119802-03121	4	44
119802-03130	4	45
119802-03141	4	46
119802-11260	4	6
119802-11270	4	7
119802-11870	4	31
	17	11
119802-25071	7	13
119802-25101	7	10
119802-25901	7	16
119802-34850	9	18
119802-35110	9	28
119802-39450	9	46
119802-49113	10	10
119802-49730	10	37
119802-51090	11	8
119802-51560	11	54
119802-51590	11	60
119802-51600	11	61
119802-51680	11	65
119802-51690	11	66
119802-53100	13	6
119802-55801	14	2
119802-59550	13	68
119802-59560	13	70

PARTS No.	Fig.	Ref.No.
119803-21200	8	4
119803-25050	7	9
119803-53400	13	15
119803-77830	4	54
119807-61420	12	24
119865-21600	8	11
119934-01800	2	3
119934-59910	11	127
119940-59130	9	40
120130-11860	4	29
120270-54410	4	34
121023-01551	2	22
121023-26070	7	17
121111-21501	8	8
121250-44901	10	32
121400-11340	4	25
	17	9
121450-42450	10	31
121550-23200	8	27
121750-59890	14	12
121850-21680	8	14
121850-42410	10	8
121850-51960	2	10
	17	4
123900-13610	6	3
123900-13630	6	4
124060-01050	1	4
124060-77680	13	75
124160-01751	2	6
	4	39
124160-01910	1	6
		7
124160-11360	4	51
124160-39140	9	45
124240-01871	2	7
		19
124240-01883	2	20
	17	6
124395-49840	10	17
	17	29
124460-11340	4	26
	17	10
124465-44950	10	33
		34
	17	33
124722-59050	10	38
		41
	13	69
		72
124766-59050	14	5

PARTS No.	Fig.	Ref.No.
124766-59050	14	9
129001-01250	1	5
129001-02931	1	29
129004-03010	4	41
129004-11650	4	9
129004-11900	4	33
129004-42001	10	1
129004-42040	10	15
129004-49610	10	35
129004-49620	10	39
129004-49711	10	36
129004-49721	10	40
129004-55612	14	1
129005-11100	4	21
129005-22080	8	15
129005-22500	8	17
129005-22900	8	33
129005-22950	8	35
129005-59830	9	47
129006-35100	9	27
129006-44480	9	32
129008-51390	11	36
129008-53000	13	2
129008-53200	13	2 -1
129008-77800	4	55
129100-01580	3	1
		15
	8	2
129100-01640	3	16
129100-11112	4	22
129100-23910	8	30
129100-42051	10	3
129100-42121	10	4
129103-49301	9	42
129136-77011	15	1
129136-77200	16	2
129136-77310	15	2
129136-77520	15	14
129150-01200	1	27
129150-02020	1	9
129150-02450	7	4
129150-02871	1	32
129150-02931	1	24
129150-02941	1	35
129150-03070	4	42
129150-11230	4	10
129150-11280	4	8
129150-11370	4	14
129150-11750	4	12
129150-11810	4	30

PARTS No.	Fig.	Ref.No.
129150-14101	7	6
129150-14200	7	1
129150-14400	7	2
129150-23601	8	28
129150-23611	8	31
129150-25301	7	15
129150-32020	9	14
	17	21
129150-35042	9	21
	17	23
129150-35111	9	30
	17	24
129150-35153	9	31
129150-49811	10	26
	17	31
129150-59120	13	42
129150-59131	13	45
		49
129150-77511	5	8
	17	16
129155-49801	10	25
129155-51280	12	6
129155-61460	12	26
129202-22300	8	21
129211-77920	16	6
129242-55700	14	15
129242-55720	14	16
129242-55730	14	17
129242-55740	14	18
129242-55750	14	19
129242-55760	14	20
129242-55770	14	21
129255-61410	12	23
129350-49530	10	27
129400-01730	3	6
129400-01770	3	7
129400-13101	6	1
129400-77490	15	12
129400-77571	15	18
129400-92430	17	34
129407-01340	1	28
	17	2
129407-12110	5	4
	17	15
129407-32000	9	1
129410-03990	5	2
129417-33110	9	26
129417-35150	9	29
129423-21570	8	9
129436-35091	9	22

PARTS No. INDEX

PARTS No.	Fig.	Ref.No.
129466-21651	8	12
129484-26200	7	19
129484-26210	7	21
129486-01670	3	19
129486-12581	5	7
129486-42021	10	14
	17	27
129486-42140	10	16
	17	28
129486-59551	13	71
129508-33010	9	24
129508-33050	9	25
129508-49030	9	33
129508-49040	9	37
129550-13110	6	2
	17	17
129550-42350	10	23
129550-59120	13	46
129601-03080	5	1
129601-11241	4	3
129601-11251	4	4
129601-11310	4	48
	17	13
129601-11350	4	40
129601-12100	5	3
129601-34801	9	16
129601-51250	11	130
129601-59810	13	51
129601-59820	13	55
129601-59830	13	59
129601-59840	13	63
129604-01520	2	4
129604-11700	4	15
129604-21000	8	1
129604-77821	4	56
129612-01600	3	2
129630-59010	14	4
129642-61060	12	87
129795-01780	3	18
129795-01950	2	8
129795-02412	1	12
129795-11120	4	23
129795-11180	4	24
129795-21661	8	13
129795-49551	10	28
	17	32
129900-07900	4	1
129900-77400	15	3
129900-77440	15	6
129900-77450	15	7

PARTS No.	Fig.	Ref.No.
129900-77450	15	11
129900-77460	15	9
129900-77480	15	10
129900-77640	15	19
129916-49740	10	11
129930-13201	6	7
	17	18
129956-59010	14	8
129957-59101	14	10
129961-59110	14	6
158552-51151	11	11
158552-51571	11	55
		56
158552-51580	11	59
158552-51600	11	69
158552-51670	11	123
158552-51781	11	95
158552-52100	11	125
158552-52310	11	104
158552-52400	11	105
158552-52500	11	126
158552-61441	12	25
158552-61900	12	78
158553-51551	11	121
158553-51630	11	70
158553-51650	11	72
158553-51660	11	73
158553-51670	11	64
158553-51680	11	74
158553-51770	11	101
158553-51930	11	98
	12	7
158553-61050	12	3
158553-61070	12	4
158557-51570	11	57
158563-51281	11	34
		35
158563-51330	11	45
158600-51270	11	33
158601-51550	11	53
158601-51570	11	58
158601-51650	11	122
158601-51770	11	94
158601-51790	11	96
171008-03990	9	34
		38
171008-77450	15	8
171008-77510	15	13
171008-77540	15	15
171008-77650	15	20

PARTS No.	Fig.	Ref.No.
171008-77660	15	24
171008-77670	15	25
171008-77750	15	31
171031-11741	2	25
171051-01921	1	8
171056-49120	10	30
171353-26081	7	18
	17	19
729008-53100	13	1
729008-53200	13	1 -1
729402-14580	7	3
729402-23100	8	23
729602-01560	1	1
729602-92930	17	1
729637-51300	11	1
729637-51310	11	1 -1
729652-01500	2	1
977770-1207F	17	35
X2114255110	15	5
X2114555500	15	21
X2114955020	15	22
X2130350900	15	4
X2240410100	15	23

PARTS No.	Fig.	Ref.No.
-----------	------	---------



YANMAR CO., LTD.